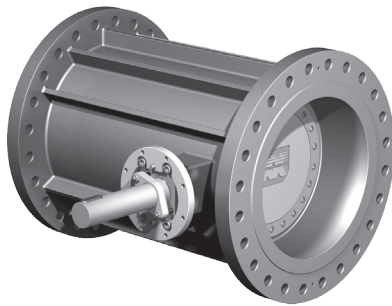



butterfly valve

type **Quadax** - gate valve replacement



butterfly valve	bare shaft
pressure range	PN 0-160 bar
size	DN 80 - 1000 mm
connection	flange

 Above stated body materials refer to the valve port connections that get in contact with the media only!

body materials	carbon steel, stainless steel, special material (duplex, inconell, bronze)
valve seat materials	inconell, others on request
seal materials	graphite / stainless steel, inconell, stainless steel, PTFE

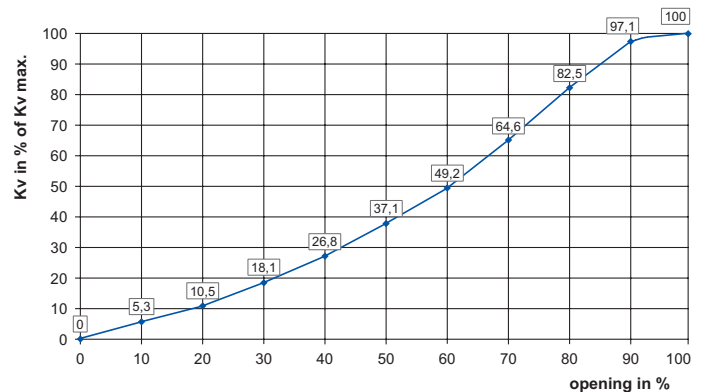
details needed


- size
- pipe connection
- operating pressure
- flow rate
- Δp
- closing time
- media
- process temperature
- outside temperature


general specifications

pipe connection	flange	PN 10 / 16 / 25 / 40 / 63 / 100 / 160 ANSI 150 / 300 / 600 / 900
function	NC / NO / DA	depending upon actuator
pressure range	body pressure	0 to 160 bar
	Δp standard shaft	52 bar in both directions
	Δp optional shaft	100 bar in both directions
Kv value		see table
leakage rate		1 DIN 3230 A DIN EN 12266 BS 6364 Fire safe
preferred flow direction	A \leftrightarrow B	as marked
switching time	s	DN/100
process- and outside temperature	standard	- 10 °C to + 450 °C
	with special materials	- 270 °C to + 800 °C
limit switches		option
approvals		PED / Fire safe / BAM / TA Luft / ATEX in further
weight		see table
additional equipment		upon request

Kv-curve

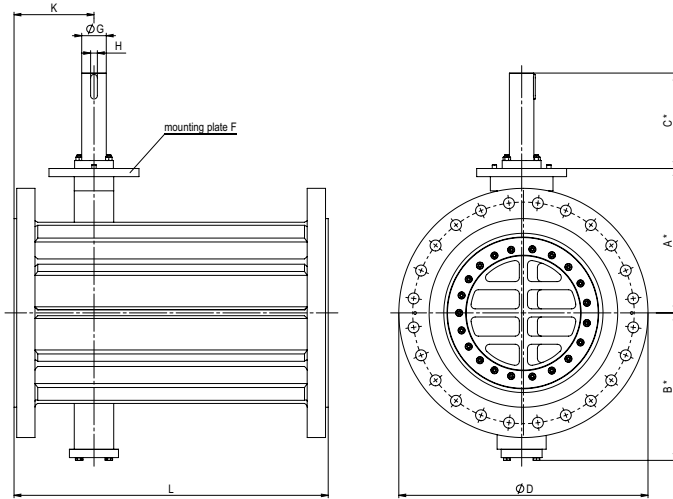


 The valves' technical design is based on media and application requirements. This can lead to deviations from the general specifications shown on the data sheet with regards to the design, sealing materials and characteristics.

 If order or application specifications are incomplete or imprecise there exists a risk of an incorrect technical design of the valve for the required application. As a consequence, the physical and / or chemical properties of the materials or seals used, may not be suitable for the intended application.

- specifications not highlighted are standard
- specifications highlighted in grey are optional

Type Quadax - gate valve replacement



* dimensions for Trim X only

size	(mm) (inch)	80 3	100 4	125 5	150 6	200 8	250 10	300 12	350 14	400 16	450 18	500 20	600 24	700 28	750 30	800 32	900 36	1000 40	
pipe cl to mounting plate	A	128	162	190	203	240	279	305	325	385	405	440	530	630	630	700	830	920	
pipe cl to cover screws	B	129	158	186	204	241	281	307	333	383	403	441	541	643	643	713	836	926	
bare shaft length für direct mounting	C	95	125	135	145	180	180	180	280	289	300	309	320	367	367	367	367	398	
bare shaft length for adapter	C	51	68	68	68	85	85	85	173	170	170	170	170	210					
flange diameter	PN 10	D	200	230	250	295	352	405	455	515	565	615	670	780	895	970	1085	1115	1230
	PN 16	D	200	230	250	295	352	405	455	515	590	640	725	845	910	970	1085	1125	1255
	PN 25	D	200	230	270	295	352	425	485	550	620	680	725	845	960	1020	1085	1185	1320
	PN 40	D	200	230	270	295	375	450	515	585	660	680	770	908					
	PN 63	D	215	250	295	345	415	470	530	600	670								
	PN 100	D	230	265	315	355	430	505	585	655									
	PN 160	D	230	265	315	355	430	515	585										
	ANSI 150	D	190	230		280	352	405	485	550	590	640	700	815	927	984	1085	1168	1290
	ANSI 300	D	210	254		320	380	445	515	585	660	710	770	908	1035	1092	1149	1270	1238
	ANSI 600	D	210	275		355	420	508	560	605	685	745	815	940	1073	1130	1194	1315	1320
ANSI 900	D	240	292	350	380	470	545	610	640	705	790	860	1040	1170	1230	1315	1460	1510	
mounting plate F ISO 5211	(others on request)	F	F07	F10	F12	F14	F16	F16	F25	F30	F30	F35	F35	F40	F40	F40	F48	F48	
trim A	20 bar max.	G	18	20	22	28	28	32	40	45	50	55	60	70	80	90	100	110	120
	290 psi max.	H	6	6	6	8	8	10	12	14	14	16	18	20	22	25	28	28	32
trim X (standard)	52 bar max.	G	18	20	22	32	32	40	45	55	65	70	75	90	110	120	130	150	160
	754 psi max.	H	6	6	6	10	10	12	14	16	18	20	20	25	28	32	32	36	40
trim B	104 bar max.	G	22	28	32	40	45	55	65	75	90	95	110	130	150	170	180	190	220
	1500 psi max.	H	6	8	10	12	14	16	18	20	25	25	28	32	36	40	45	45	50
trim C	155 bar max.	G	22	28	32	40	50	65	75	90	105	110	125	150	170	190	200	230	250
	2250 psi max.	H	6	8	10	12	14	18	20	25	28	28	32	36	40	45	45	50	56
ANSI B 16.10		K	112	128	140	149	168	201	210	226	241	255	268	299	345	375	395	445	0
		L	282	305	381	403	419	457	502	762	838	914	991	1143	1346	1397	1524	1727	0
kv value (m³/h)	trim A	Δp max. 20 bar	118	258	418	697	1509	2606	3837	5478	7944	10735	12921	20651	25473	32661	36123	47565	56131
	trim X	Δp max. 52 bar	118	258	418	654	1445	2451	3720	5120	7321	9986	12118	19253	23081	30015	33343	43215	51398
	trim B	Δp max. 104 bar	101	208	344	576	1254	2123	3180	4459	6282	8738	10245	16458	19826	22286	28632	38954	44444
	trim C	Δp max. 155 bar	101	208	344	576	1164	1916	2926	3962	5659	7989	9442	15002	18231	21026	26779	34693	40870
cv value (gal/min)	trim A	Δp max. 290 psi	137	300	486	810	1755	3030	4462	6370	9237	12483	15024	24013	29620	37978	42003	55308	65269
	trim X	Δp max. 754 psi	137	300	486	760	1680	2850	4314	5953	8513	11612	14091	22387	26838	31702	38771	50250	59765
	trim B	Δp max. 1500 psi	117	242	400	670	1458	2469	3698	5185	7305	10160	11913	19137	23053	25914	33293	45295	51679
	trim C	Δp max. 2250 psi	117	242	400	670	1353	2228	3402	4607	6580	9290	10979	17444	21199	24658	31138	40341	47523
weight (standard)	(ca. kg)	22	30	42	52	92	118	196	287	378	494	602	823	944	1082	1240	1480	1610	

The application-specific layout relating to temperature, pressure conditions, switching behavior, media and its consistency may restrict the range of use or necessitate relevant modifications to materials used and seal arrangements.