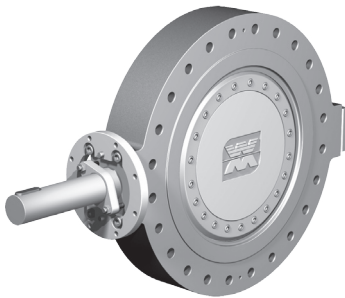



butterfly valve

type **Quadax** - lug type



butterfly valve	bare shaft
pressure range	PN 0-63 bar
size	DN 80 - 1000 mm
connection	flange

 Above stated body materials refer to the valve port connections that get in contact with the media only!

body materials	carbon steel, stainless steel, special material (duplex, inconell, bronze)
valve seat materials	inconell, others on request
seal materials	graphite / stainless steel, inconell, stainless steel, PTFE

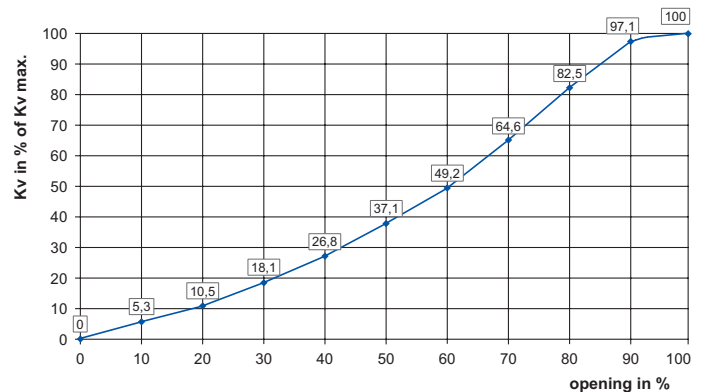
details needed


- size
- pipe connection
- operating pressure
- flow rate
- Δp
- closing time
- media
- process temperature
- outside temperature


general specifications

pipe connection	flange	PN 10 / 16 / 25 / 40 / 63 ANSI 150 / 300 / 600
function	NC / NO / DA	depending upon actuator
pressure range	body pressure	0 to 63 bar
	Δp standard shaft	52 bar in both directions
Kv value	m ³ /h	see table
leakage rate		1 DIN 3230 A DIN EN 12266 BS 6364 Fire safe
preferred flow direction	A \leftrightarrow B	as marked
switching time	s	DN/100
process- and outside temperature	standard	- 10 °C to + 450 °C
	with special materials	- 270 °C to + 800 °C
limit switches		option
approvals		PED / Fire safe / BAM / TA Luft / ATEX in further
weight	kg	see table
additional equipment		upon request

Kv-curve

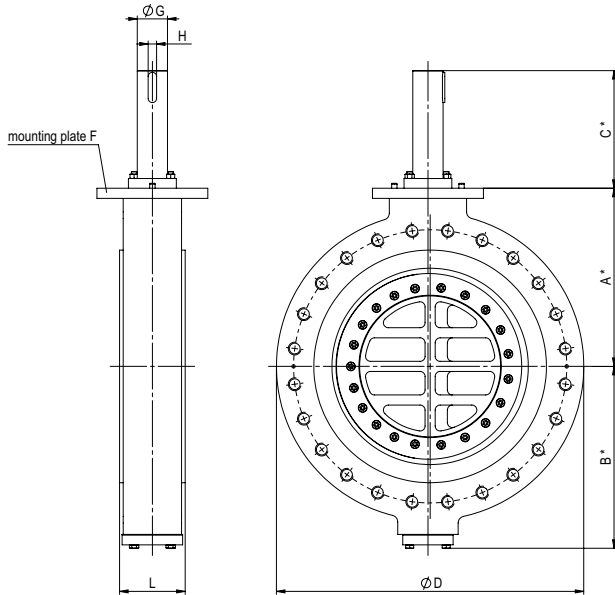


 The valves' technical design is based on media and application requirements. This can lead to deviations from the general specifications shown on the data sheet with regards to the design, sealing materials and characteristics.

 If order or application specifications are incomplete or imprecise there exists a risk of an incorrect technical design of the valve for the required application. As a consequence, the physical and / or chemical properties of the materials or seals used, may not be suitable for the intended application.

- specifications not highlighted are standard
- specifications highlighted in grey are optional

Type Quadax - lug type



* dimensions for Trim X only

size	(mm) (inch)	80 3	100 4	125 5	150 6	200 8	250 10	300 12	350 14	400 16	450 18	500 20	600 24	700 28	750 30	800 32	900 36	1000 40	
pipe cl to mounting plate	A	128	162	190	203	240	279	305	325	385	405	440	530	630	630	700	830	920	
pipe cl to cover screws	B	129	158	186	204	241	281	307	333	383	403	441	541	643	643	713	836	926	
bare shaft length für direct mounting	C	95	125	135	145	180	180	180	280	289	300	309	320	367	367	367	367	398	
bare shaft length for adapter	C	51	68	68	68	85	85	85	173	170	170	170	170	210					
flange diameter	PN 10	D	200	230	250	295	352	405	455	515	565	615	670	780	895	970	1085	1115	1230
	PN 16	D	200	230	250	295	352	405	455	515	590	640	725	845	910	970	1085	1125	1255
	PN 25	D	200	230	270	295	352	425	485	550	620	680	725	845	960	1020	1085	1185	1320
	PN 40	D	200	230	270	295	375	450	515	585	660	680	770	908					
	PN 63	D	215	250	295	345	415	470	530	600	670								
	ANSI 150	D	190	230		280	352	405	485	550	590	640	700	815	927	984	1085	1168	1290
	ANSI 300	D	210	254		320	380	445	515	585	660	710	770	908	1035	1092	1149	1270	1238
	ANSI 600	D	210	275		355	420	508	560	605	685	745	815	940	1073	1130	1194	1315	1320
mounting plate F ISO 5211	(others on request)	F	F07	F10	F12	F14	F16	F16	F16	F25	F30	F30	F35	F35	F40	F40	F40	F48	F48
trim A	20 bar max. 290 psi max.	G	18	20	22	28	28	32	40	45	50	55	60	70	80	90	100	110	120
		H	6	6	6	8	8	10	12	14	14	16	18	20	22	25	28	28	32
trim X (standard)	52 bar max. 754 psi max.	G	18	20	22	32	32	40	45	55	65	70	75	90	110	120	130	150	160
		H	6	6	6	10	10	12	14	16	18	20	20	25	28	32	32	36	40
API 609	ANSI 150	L	48	54		57	64	71	81	92	102	114	127	154					
	ANSI 300	L	48	54		59	73	83	92	117	133	149	159	181					
	ANSI 600	L	54	64		78	102	117	140	155	178	200	216	232					
DIN3202 K3	PN 10/16/25/40/63	L	64	64	70	76	89	114	114	127	140	0	152	178	229	241	241	241	300
kv value (m³/h)	trim A Δp max. 20 bar		118	258	418	697	1509	2606	3837	5478	7944	10735	12921	20651	25473	32661	36123	47565	56131
	trim X Δp max. 52 bar		118	258	418	654	1445	2451	3720	5120	7321	9986	12118	19253	23081	30015	33343	43215	51398
cv value (gal/min)	trim A Δp max. 290 psi		137	300	486	810	1755	3030	4462	6370	9237	12483	15024	24013	29620	37978	42003	55308	65269
	trim X Δp max. 754 psi		137	300	486	760	1680	2850	4314	5953	8513	11612	14091	22387	26838	31702	38771	50250	59765
weight (standard)	(ca. kg)		16	22	32	39	68	128	150	221	319	349	457	715	1017	1203	1336	1744	2467

The application-specific layout relating to temperature, pressure conditions, switching behavior, media and its consistency may restrict the range of use or necessitate relevant modifications to materials used and seal arrangements.

Rights reserved to make technical alterations • Not responsible for printing errors • Detailed drawings can be obtained upon request