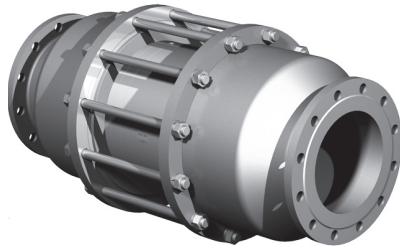


# coaxial valve

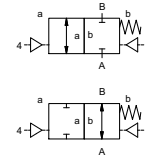
## type VSV-F 250

### 5-VSV-F 250

valve type with pilot valve



**2/2 way valve** externally controlled  
**pressure range** PN 0-16 bar  
**orifice** DN 250 mm  
**connection** flange  
**function** valve normally closed symbol **NC**  
 valve normally open symbol **NO**



**△** Above stated body materials refer to the valve port connections that get in contact with the media only!

**design** pressure balanced, with spring return  
**body materials** ① ② steel, galvanized  
 ③ ⑤  
 ④ steel, nickel plated ⑥ stainless steel  
**valve seat** synthetic resin on metal  
**seal materials** NBR PTFE, FPM, CR, EPDM

**details needed for main valve**

- orifice
- port
- function NC/NO
- operating pressure
- flow rate
- media
- media temperature
- ambient temperature
- type of actuation

**details needed for pneumatic actuation**

- nominal voltage
- type of protection
- actuation pressure range min/max
- low wattage coil, actuation pressure range 4-7 bar
- pilot valve type

**details needed for hydraulic actuation**

- actuation pressure range min/max
- hydraulic control valve function

**⚠** The valves' technical design is based on media and application requirements. This can lead to deviations from the general specifications shown on the data sheet with regards to the design, sealing materials and characteristics.

**⚠** If order or application specifications are incomplete or imprecise there exists a risk of an incorrect technical design of the valve for the required application. As a consequence, the physical and / or chemical properties of the materials or seals used, may not be suitable for the intended application.

■ specifications not highlighted are standard  
 ■ specifications highlighted in grey are optional

general specifications		options
ports	VSV-F flanges PN 16	special flanges
function	NC	NO
pressure range	bar 0-16	
Kv value	m <sup>3</sup> /h 650,0	
vacuum	leak rate < 10 <sup>-6</sup> mbar·l·s <sup>-1</sup>	
pressure-vacuum	P <sub>1</sub> ↔ P <sub>2</sub>	pressure side max. 16 bar vacuum side leak rate upon request
back pressure	P <sub>2</sub> > P <sub>1</sub>	available (max. 16 bar)
media	gaseous - liquid - highly viscous - gelatinous - pasty - contaminated	version available
abrasive media		
damping	opening by throttles on pilot valve	
closing	as marked	bi-directional upon request
flow direction	A ↔ B	
switching cycles	1/min 4	
switching time	ms opening 1500-3000 closing 1500-3000	
media temperature	°C direct mounted pilot valve 60	remote mounted pilot valve outside temperature range of media max. 160°C
ambient temperature	°C direct mounted pilot valve 50	
flush ports		available
leak ports		available
limit switches		inductive/mechanical upon request
manual override	via pilot valve	
approvals		LR/GL/WAZ
mounting		
weight	kg VSV-F 215,0	
additional equipment		upon request

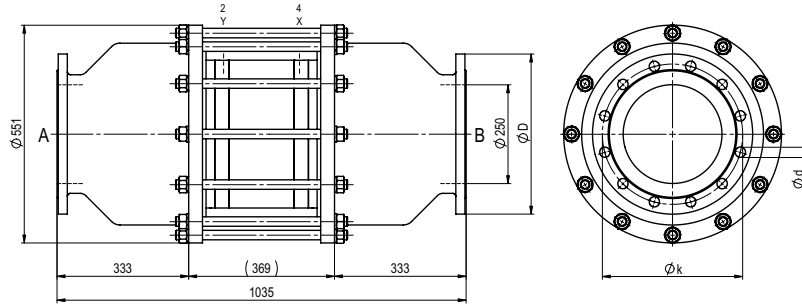
electrical specifications		options
nominal voltage	U <sub>n</sub> DC 24V	special voltage upon request
	U <sub>n</sub> AC 230V 50 Hz	special voltage upon request
power consumption	DC 4,8 W	2,5 W
	AC pick up 11,0 VA holding 8,5 VA	
protection	IP 65 (P54) acc. DIN 40 050	
energized duty rating	ED 100%	
connection	plug acc. DIN EN 175301-803 form B, 4 positions x 90° / wire diameter 6-8 mm	
additional equipment	illuminated plug with varistor	connector acc. VDMA
optional	M12x1 connector acc. DESINA	
max. temperature	media 60°C	
	ambient 50°C	
explosion proof	EEx m II T5 nominal voltage U <sub>n</sub>	direct current 24 V 3,25 W
	power consumption	alternating current 230 V 50 Hz 2,90 W

pneumatic specifications		options
actuation pressure range	bar 4-10	
air consumption	cm <sup>3</sup> /stroke 1000	
cycle speed	main valve speed variable by throttles on pilot valve	
control	preferably 5/2-way pilot valve	
actuator ports	2/4 G 1/4	G 3/8

hydraulic specifications		options
actuation pressure range	bar 10-30 / 30-60	upon request
by media		
control	preferably 4/2-way control valve	
actuator ports	X/Y G 1/4	NPT 1/4

# type VSV-F 250

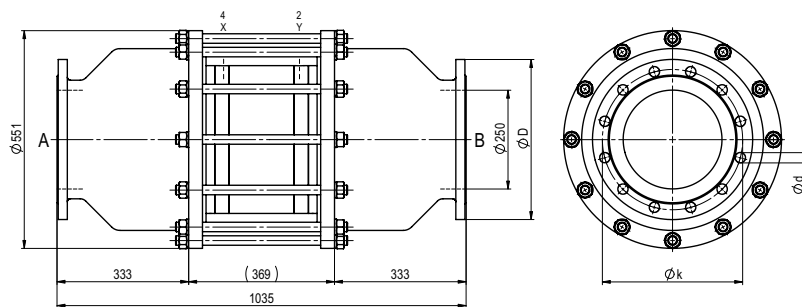
function: **NC**  
closed when not energized



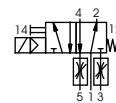
flanges PN	DIN	$\varnothing D$	$\varnothing k$	$\varnothing d$
16	2633	405	355	26

# type VSV-F 250

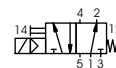
function: **NO**  
open when not energized



### pneumatic actuation



5/2-way-pilot valve  
flow rate 700 l/min  
pressure range 3-10 bar G 1/4



5/2-way-pilot valve ISO 1  
flow rate 700 l/min  
pressure range 3-10 bar G 1/4

The application-specific layout relating to temperature, pressure conditions, switching behavior, media and its consistency may restrict the range of use or necessitate relevant modifications to materials used and seal arrangements.

Rights reserved to make technical alterations • Not responsible for printing errors • Detailed drawings can be obtained upon request