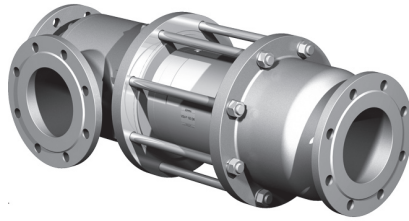


coaxial valve

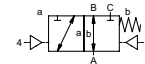
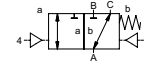
type VSV-F 150 DR

5-VSV-F 150 DR

valve type with pilot valve



3/2 way valve externally controlled
pressure range PN 0-16 bar
orifice DN 150 mm
connection flange
function valve normally closed (A ► B)
 symbol **NC**
 valve normally open (A ► B)
 symbol **NO**



△ Above stated body materials refer to the valve port connections that get in contact with the media only!

design pressure balanced, with spring return, intersecting switch-over
body materials ① ② steel, galvanized
 ③ ⑤ without non-ferr. metals
 ④ steel, nickel plated ⑥ stainless steel
valve seat synthetic resin on metal
seal materials NBR PTFE, FPM, CR, EPDM

details needed for main valve

- orifice
- port
- function NC/NO
- operating pressure
- inlet pressure at A, B or C
- flow rate
- media
- media temperature
- ambient temperature
- type of actuation

details needed for pneumatic actuation

- nominal voltage
- type of protection
- actuation pressure range min/max
- low wattage coil, actuation pressure range 4-7 bar
- pilot valve type

details needed for hydraulic actuation

- actuation pressure range min/max
- hydraulic control valve function

⚠ The valves' technical design is based on media and application requirements. This can lead to deviations from the general specifications shown on the data sheet with regards to the design, sealing materials and characteristics.

⚠ If order or application specifications are incomplete or imprecise there exists a risk of an incorrect technical design of the valve for the required application. As a consequence, the physical and / or chemical properties of the materials or seals used, may not be suitable for the intended application.

■ specifications not highlighted are standard
 ■ specifications highlighted in grey are optional

| general specifications | | options |
|------------------------|--|---|
| ports | VSV-F flanges PN 16 | special flanges |
| function | NC | NO |
| pressure range | bar 0-16 | |
| | A ⇒ B max.16 / B ⇒ A max.16 / A ⇒ C max.16 / C ⇒ A max.16 | |
| Kv value | m³/h 274,0 | |
| vacuum | leak rate | < 10 ⁻⁶ mbar·l/s ⁻¹ |
| pressure-vacuum | P ₁ ⇔ P ₂ | pressure side max. 16 bar vacuum side leak rate upon request |
| back pressure | P ₂ > P ₁ see pressure range | |
| media | gaseous - liquid - highly viscous - gelatinous - pasty - contaminated | |
| abrasive media | | version available |
| damping | opening by throttles on pilot valve | |
| | closing see pressure range | |
| flow direction | | |
| switching cycles | 1/min 20 | |
| switching time | ms opening 600-3000 closing 600-3000 | |
| media temperature | °C direct mounted pilot valve 60 | remote mounted pilot valve outside temperature range of media max.160°C |
| ambient temperature | °C direct mounted pilot valve 50 | |
| flush ports | | available |
| leak ports | | available |
| limit switches | | inductive/mechanical upon request |
| manual override | via pilot valve | |
| approvals | | LR/GL/WAZ |
| mounting | | |
| weight | kg VSV-F 97,0 | |
| additional equipment | | upon request |

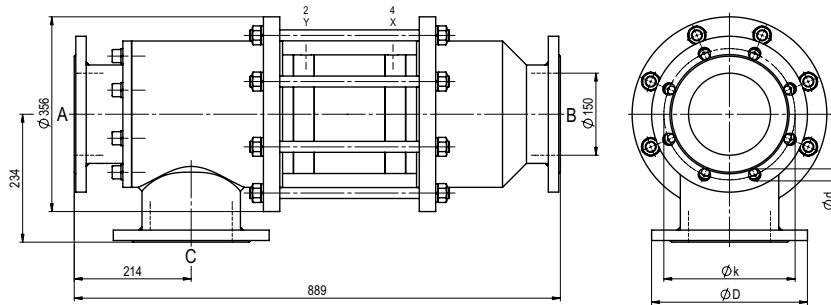
| electrical specifications | | options |
|---------------------------|--|--|
| nominal voltage | U _n DC 24V | special voltage upon request |
| | U _n AC 230V 50 Hz | special voltage upon request |
| power consumption | DC 4,8 W | 2,5 W |
| | AC pick up 11,0 VA holding 8,5 VA | |
| protection | IP 65 (P54) acc. DIN 40 050 | |
| energized duty rating | ED 100% | |
| connection | plug acc. DIN EN 175301-803 form B, 4 positions x 90° / wire diameter 6-8 mm | |
| additional equipment | illuminated plug with varistor | |
| optional | M12x1 connector acc. DESINA | connector acc. VDMA |
| max. temperature | media 60°C | |
| | ambient 50°C | |
| explosion proof | EEx m II T5 nominal voltage U _n | direct current 24 V 3,25 W |
| | power consumption | alternating current 230 V 50 Hz 2,90 W |

| pneumatic specifications | | options |
|--------------------------|---|---------|
| actuation pressure range | bar 4-10 | |
| air consumption | cm³/stroke 550 | |
| cycle speed | main valve speed variable by throttles on pilot valve | |
| control | preferably 5/2-way pilot valve | |
| actuator ports | 2/4 G 1/4 | G 3/8 |

| hydraulic specifications | | options |
|--------------------------|----------------------------------|--------------|
| actuation pressure range | bar 10-30 / 30-60 | |
| by media | | upon request |
| control | preferably 4/2-way control valve | |
| actuator ports | X/Y G 1/4 | NPT 1/4 |

type VSV-F 150 DR

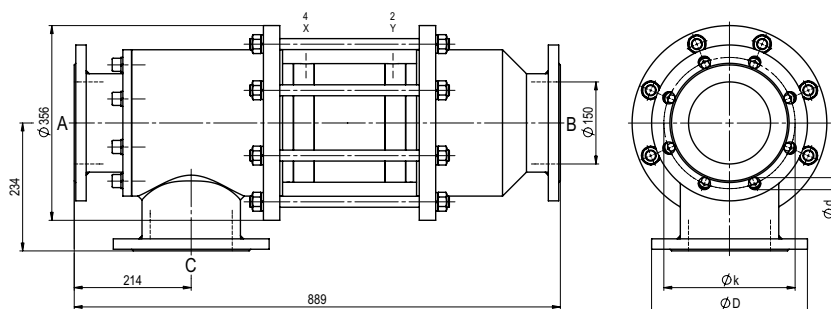
function: **NC**
closed when not energized (A ► B)



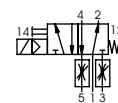
| flanges PN | DIN | ØD | Øk | Ød |
|------------|------|-----|-----|----|
| 16 | 2633 | 285 | 240 | 22 |

type VSV-F 150 DR

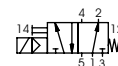
function: **NO**
open when not energized (A ► B)



pneumatic actuation (separately)



5/2-way-pilot valve
flow rate 700 l/min
pressure range 3-10 bar G 1/8



5/2-way-pilot valve ISO 1
flow rate 700 l/min
pressure range 3-10 bar G 1/4