

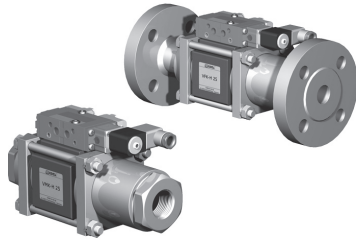
5-VMK-H 25

5-VFK-H 25

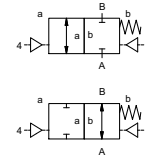
valve type with pilot valve

coaxial valve

type **VMK-H 25**
VFK-H 25



2/2 way valve externally controlled
pressure range PN 0-200 bar
orifice DN 25 mm
connection thread/flange
function valve normally closed symbol **NC**
 valve normally open symbol **NO**



△ Above stated body materials refer to the valve port connections that get in contact with the media only!

design pressure balanced, with spring return
body materials ① ② steel, galvanized
 ③ ⑤ without non-ferr. metals
 ④ steel, nickel plated ⑥ stainless steel
valve seat synthetic resin on metal
seal materials NBR PTFE, FPM, CR, EPDM

details needed for main valve

- orifice
- port
- function NC/NO
- operating pressure
- flow rate
- media
- media temperature
- ambient temperature
- type of actuation

details needed for pneumatic actuation

- nominal voltage
- type of protection
- actuation pressure range min/max
- low wattage coil, actuation pressure range 4-7 bar
- pilot valve type

details needed for hydraulic actuation

- actuation pressure range min/max
- hydraulic control valve function

⚠ The valves' technical design is based on media and application requirements. This can lead to deviations from the general specifications shown on the data sheet with regards to the design, sealing materials and characteristics.

⚠ If order or application specifications are incomplete or imprecise there exists a risk of an incorrect technical design of the valve for the required application. As a consequence, the physical and / or chemical properties of the materials or seals used, may not be suitable for the intended application.

■ specifications not highlighted are standard
 ■ specifications highlighted in grey are optional

general specifications		options
ports	VMK-H threads G 1 VFK-H flanges PN 160/250	special threads special flanges
function	NC	NO
pressure range	bar 0-200	
Kv value	m ³ /h 12,6	
vacuum	leak rate < 10 ⁻⁶ mbar·l·s ⁻¹	
pressure-vacuum	P ₁ ↔ P ₂	pressure side max. 200 bar vacuum side leak rate upon request
back pressure	P ₂ > P ₁	available (max. 16 bar)
media	gaseous - liquid - highly viscous - gelatinous - pasty - contaminated	
abrasive media		version available
damping	opening by throttles on pilot valve	
flow direction	A ↔ B as marked	bi-directional upon request
switching cycles	1/min 200	
switching time	ms opening 50-3000 closing 50-3000	
media temperature	°C direct mounted pilot valve 60	remote mounted pilot valve outside temper.
ambient temperature	°C direct mounted pilot valve 50	ature range of media max.160°C
flush ports		available
leak ports		available
limit switches		inductive/mechanical upon request
manual override	via pilot valve	
approvals		LR/GL/WAZ
mounting		mounting brackets
weight	kg VMK-H 8,7 VFK-H 11,1	
additional equipment		upon request

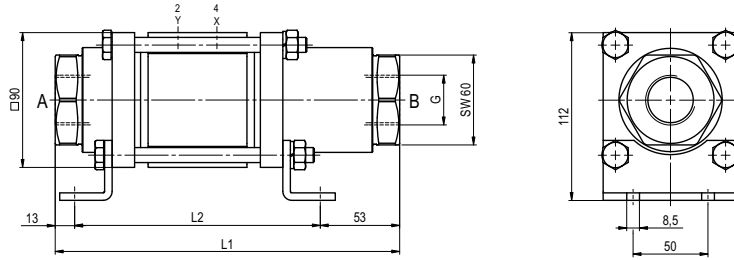
electrical specifications		options
nominal voltage	U _n DC 24V	special voltage upon request
power consumption	U _n AC 230V 50 Hz DC 4,8 W	special voltage upon request 2,5 W
protection	AC pick up 11,0 VA holding 8,5 VA IP 65 (P54) acc. DIN 40 050	
energized duty rating	ED 100%	
connection	plug acc. DIN EN 175301-803 form B, 4 positions x 90° / wire diameter 6-8 mm	
additional equipment	illuminated plug with varistor	
optional	M12x1 connector acc. DESINA	connector acc. VDMA
max. temperature	media 60°C ambient 50°C	
explosion proof	EEx m II T5 nominal voltage U _n power consumption	direct current 24 V 3,25 W alternating current 230 V 50 Hz 2,90 W

pneumatic specifications		options
actuation pressure range	bar 4-10	
air consumption	cm ³ /stroke 18	
cycle speed	main valve speed variable by throttles on pilot valve	
control	preferably 5/2-way pilot valve	
pilot valve interface	co-ax / NAMUR	ISO 1
actuator ports	2/4 G 1/8	G 1/4

hydraulic specifications		options
actuation pressure range	bar 10-30 / 30-60	
control	preferably 4/2-way control valve	
actuator ports	X/Y G 1/4	NPT 1/4

type VMK-H 25

function: **NC**
closed when not energized

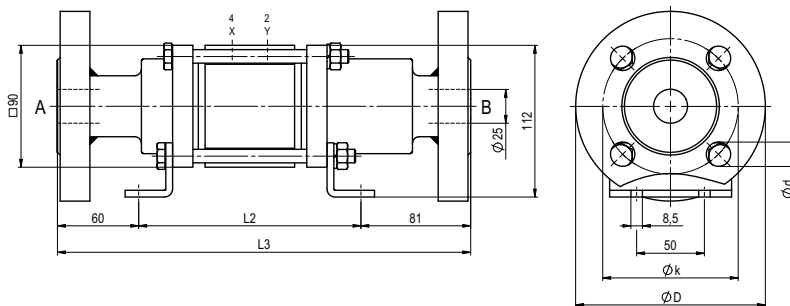


constructive length	L1	L2	L3
standard	230	164	305
with 1/2 inductive limit switches	260	194	335
with force-feed lubrication nipple	260	194	335
with mechanical limit switches	-	-	-

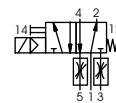
flanges PN	DIN	øD	øk	ød
160	2638	140	100	18
250	2628	150	105	22

type VFK-H 25

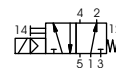
function: **NO**
open when not energized



pneumatic actuation



5/2-way-pilot valve
flow rate 700 l/min
pressure range 3-10 bar G 1/8



5/2-way-pilot valve ISO 1
flow rate 700 l/min
pressure range 3-10 bar G 1/4

The application-specific layout relating to temperature, pressure conditions, switching behavior, media and its consistency may restrict the range of use or necessitate relevant modifications to materials used and seal arrangements.

Rights reserved to make technical alterations • Not responsible for printing errors • Detailed drawings can be obtained upon request