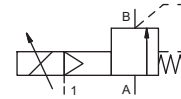


# pressure reduction valve

## type SPP-3 15 PC



**control valve** proportional  
**pressure range** PN 0-100 bar  
**orifice** DN 15 mm  
**connection** thread/cartridge  
**function** stepless pressure regulation inline-version



Above stated body materials refer to the valve port connections that get in contact with the media only!

**design** externally controlled with spring return  
**body materials** ① aluminium ④  
 ① brass ⑤  
 ③ ⑥ stainless steel  
**valve seat** synthetic resin on metal / metal on metal  
**seal materials** EPDM, PU, HNBR FPM

**details needed for main valve**

- orifice
- port
- pressure regulating range
- flow rate
- media
- media temperature
- ambient temperature

**details needed for proportional valve**

- nominal voltage
- actuation pressure range min/max

**ports** SPP-3 with valve body G 1/2 - G 3/4  
**function** stepless regulation  
**pressure regulation range** bar SPP-3 5-100  
**Kv value** m<sup>3</sup>/h max. 6.0  
**media** gaseous - liquid - highly viscous - contaminated  
**abrasive media** version available  
**flow direction** A ⇌ B as marked  
**operating time** ms < 200  
**media temperature** °C 0 to +60  
**ambient temperature** °C 0 to +50  
**approvals**  
**mounting** mounting holes  
**weight** kg SPP-3 4,8 SPP-3 3,7  
**additional equipment**

**general specifications**

**options**

ports	SPP-3 with valve body G 1/2 - G 3/4	without valve body
function	stepless regulation	
pressure regulation range	bar SPP-3 5-100	
Kv value	m <sup>3</sup> /h max. 6.0	
media	gaseous - liquid - highly viscous - contaminated	version available
abrasive media		version available
flow direction	A ⇌ B as marked	
operating time	ms < 200	
media temperature	°C 0 to +60	
ambient temperature	°C 0 to +50	
approvals		
mounting		mounting holes
weight	kg SPP-3 4,8	SPP-3 3,7
additional equipment		

**electrical specifications**

**options**

nominal voltage	U <sub>B</sub> DC 24 V (max. residual ripple 10%)
power consumption	DC < 0,7 A
control signals	U <sub>E</sub> 0-10 V (R <sub>e</sub> 10KΩ)
protection	IP65 acc. DIN 40 050
energized duty rating	ED 100% (observe the connection conditions accordingly)
connection	plug with 7 contacts / wire diameter 6-8 mm

**pneumatic specifications**

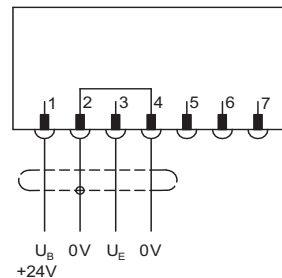
**options**

actuation pressure range	bar see actuation pressure-diagram
air consumption	DIN ISO 8573-1 grade of compressed air quality 5/4/3
control	by 3/2-way proportional valve
actuator ports	1 G 1/8

The valves' technical design is based on media and application requirements. This can lead to deviations from the general specifications shown on the data sheet with regards to the design, sealing materials and characteristics.

If order or application specifications are incomplete or imprecise there exists a risk of an incorrect technical design of the valve for the required application. As a consequence, the physical and / or chemical properties of the materials or seals used, may not be suitable for the intended application.

**connection plan**



**connection conditions**

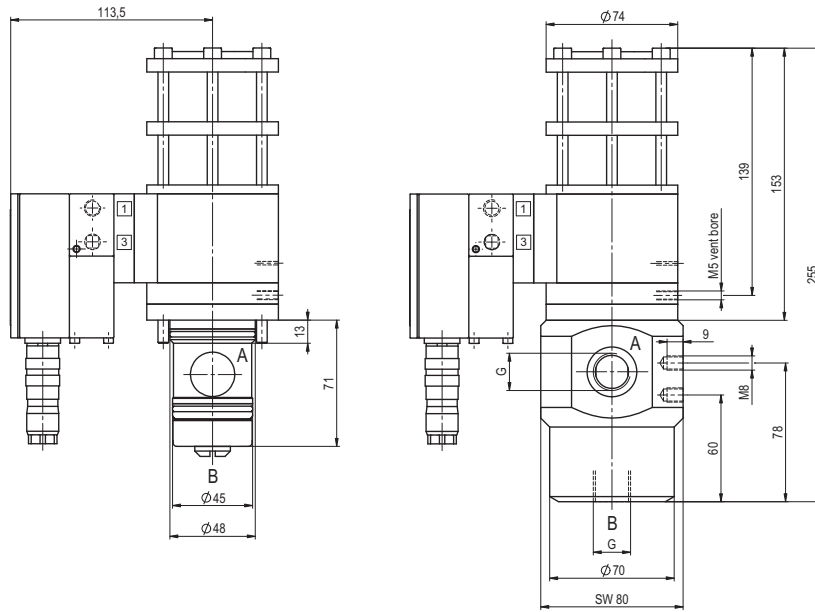
When supplying the electrical set point signal to the proportional valve, the actuating air must already be present. (see actuation pressure-diagram)

**position of installation**

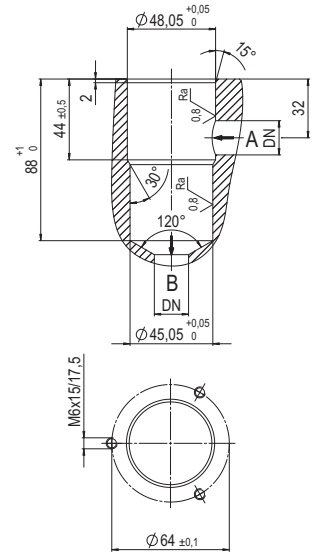
arbitrarily, but regulator not downwards

■ specifications not highlighted are standard  
 ■ specifications highlighted in grey are optional

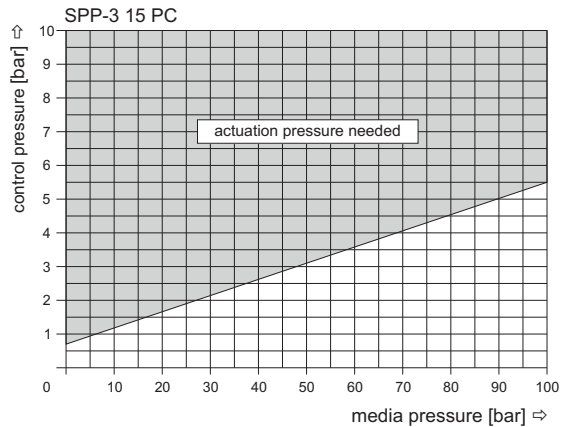
# type SPP-3 15 PC



## drilling design for cartridge



## actuation pressure-diagram



The application-specific layout relating to temperature, pressure conditions, switching behavior, media and its consistency may restrict the range of use or necessitate relevant modifications to materials used and seal arrangements.

Rights reserved to make technical alterations • Not responsible for printing errors • Detailed drawings can be obtained upon request