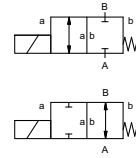


lateral valve

type RSV 25



2/2 way valve direct acting
pressure range PN 0-10 bar
orifice DN 25 mm
connection thread
function valve normally closed symbol **NC**
 valve normally open symbol **NO**



△ Above stated body materials refer to the valve port connections that get in contact with the media only!

design pressure balanced, with spring return
body materials ① brass
 ③ brass, nickel plated

valve seat synthetic resin on metal
seal materials NBR **FPM**

details needed

- orifice
- port
- function NC/NO
- operating pressure
- flow rate
- media
- media temperature
- ambient temperature
- nominal voltage

general specifications

options

ports	RSV	threads G 1 1/4	
function		NC	NO
pressure range	bar	0-10	
Kv value	m ³ /h	7,5	
vacuum		low vacuum	
pressure-vacuum	P ₁ ↔ P ₂		upon request
back pressure	P ₂ > P ₁		
media		gaseous - liquid	
abrasive media			
damping	opening		
	closing		
flow direction	A ↔ B	as marked	
switching cycles	1/min	130	
switching time	ms	opening 130 closing 200	
media temperature	°C	DC: -10 to +80	
		AC: -10 to +80	
ambient temperature	°C	DC: -10 to +80	
		AC: -10 to +80	
limit switches			
manual override			
approvals			
mounting			mounting bracket/mounting holes
weight	kg	4,2	
additional equipment			upon request

electrical specifications

options

nominal voltage	U _n	24 V	DC	special voltage upon request
	U _n	230 V	40-60 Hz AC	special voltage upon request
actuation	DC	direct-current magnet		
	AC	direct-current magnet with integrated rectifier		
insulation rating	H	180°C		
protection	IP65			
energized duty rating	ED	100%		
connection		plug acc. DIN EN 175301-803 form A, 4 positions x 90° / wire diameter 6-8 mm		terminal box M16x1,5
optional additional equipment		illuminated plug with varistor		
current consumption	N-coil	24 V	DC 1,70 A	
		230 V	40-60 Hz AC 0,16 A	

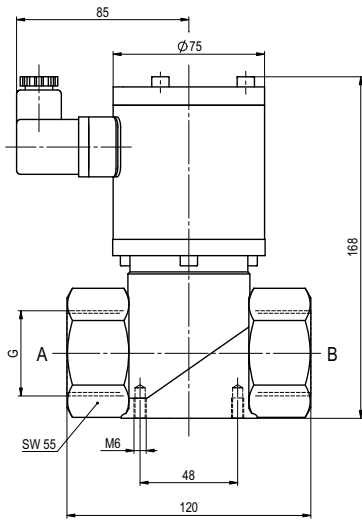
⚠ The valves' technical design is based on media and application requirements. This can lead to deviations from the general specifications shown on the data sheet with regards to the design, sealing materials and characteristics.

⚠ If order or application specifications are incomplete or imprecise there exists a risk of an incorrect technical design of the valve for the required application. As a consequence, the physical and / or chemical properties of the materials or seals used, may not be suitable for the intended application.

■ specifications not highlighted are standard
 ■ specifications highlighted in grey are optional

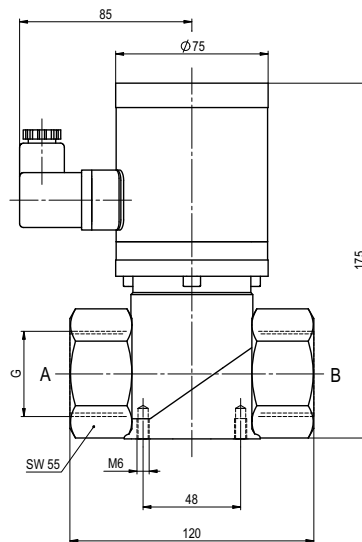
type RSV 25

function: **NC**
closed when not energized



type RSV 25

function: **NO**
open when not energized



The application-specific layout relating to temperature, pressure conditions, switching behavior, media and its consistency may restrict the range of use or necessitate relevant modifications to materials used and seal arrangements.

Rights reserved to make technical alterations • Not responsible for printing errors • Detailed drawings can be obtained upon request