

lateral valve

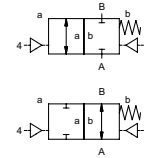
type PCB-1 10

5-PCB-1 10

valve type with pilot valve



2/2 way valve externally controlled
pressure range PN 0-25 bar
orifice DN 10 mm
connection thread
function valve normally closed symbol **NC**
 valve normally open symbol **NO**



design externally controlled, with spring return
body materials ① aluminium ③
 ① ④
 ② ⑥ stainless steel

valve seat synthetic resin on metal / metal on metal
seal materials EPDM, NBR, FPM, metalbrat (1.4571)

details needed for main valve

- orifice
- port
- function NC/NO
- operating pressure/Δp
- flow rate
- media
- media temperature
- ambient temperature
- type of actuation

details needed for pneumatic actuation

- nominal voltage
- type of protection
- actuation pressure range min/max
- low wattage coil, actuation pressure range 4-7 bar
- pilot valve type

details needed for hydraulic actuation

- actuation pressure range min/max
- hydraulic control valve function

⚠ The valves' technical design is based on media and application requirements. This can lead to deviations from the general specifications shown on the data sheet with regards to the design, sealing materials and characteristics.

⚠ If order or application specifications are incomplete or imprecise there exists a risk of an incorrect technical design of the valve for the required application. As a consequence, the physical and / or chemical properties of the materials or seals used, may not be suitable for the intended application.

■ specifications not highlighted are standard
 ■ specifications highlighted in grey are optional

general specifications

ports PCB-1 threads G 3/8
function NC
pressure range bar 0-25 (see pressure diagram)
Kv value m³/h 3,0
vacuum leak rate
pressure-vacuum P₁ ↔ P₂
back pressure P₂ > P₁
media
abrasive media
damping opening closing by throttles on pilot valve
flow direction A ↔ B as marked
switching cycles 1/min 60
switching time ms opening 30-3000 closing 30-3000
media temperature °C direct mounted pilot valve 60
ambient temperature °C direct mounted pilot valve 50
flush ports
leak ports
limit switches
manual override via 5/2-way pilot valve
approvals
mounting
weight kg PCB-1 1,1
additional equipment

options

special threads
NO
NO (see pressure-diagram)
available upon request
version available
bi-directional upon request
remote mounted pilot valve outside temperature range of media max.150°C
available inductive
WAZ
mounting holes on valve body 2 x M6
upon request

electrical specifications

nominal voltage U_n DC 24V
 U_n AC 230V 50 Hz
power consumption DC 4,8 W
 AC pick up 11,0 VA holding 8,5 VA
protection IP 65 (P54) acc. DIN 40 050
energized duty rating ED 100%
connection plug acc. DIN EN 175301-803 form B, 4 positions x 90° / wire diameter 6-8 mm
additional equipment illuminated plug with varistor
optional connector acc. DESINA
max. temperature media 60°C
 ambient 50°C
explosion proof EEx m II T5 nominal voltage U_n
 power consumption

options

special voltage upon request
special voltage upon request
2,5 W
connector acc. VDMA
direct current 24 V 3,25 W
alternating current 230 V 50 Hz 2,90 W

pneumatic specifications

actuation pressure range bar 4-10
air consumption cm³/stroke PCB-1 7
cycle speed main valve speed variable by throttles on pilot valve
 by 5/2-way pilot valve
control
actuator ports 2/4 G 1/8

options

hydraulic specifications

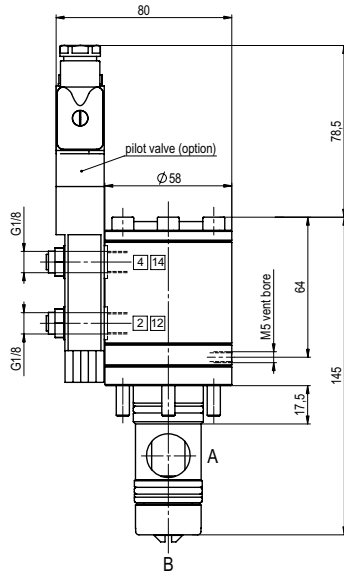
actuation pressure range bar 10-30
by media
control preferably 4/2-way control valve
actuator ports X/Y G 1/4 via adapter

options

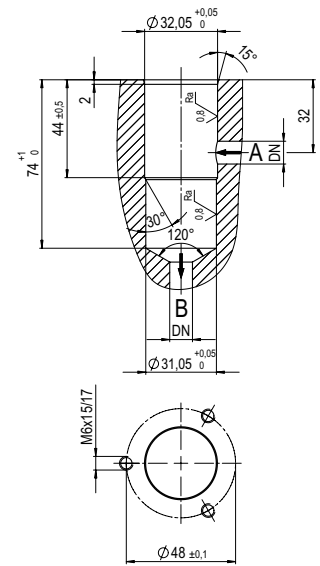
>30 bar upon request
NPT 1/4 via adapter

type PCB-1 10

function: **NC**
closed when not energized

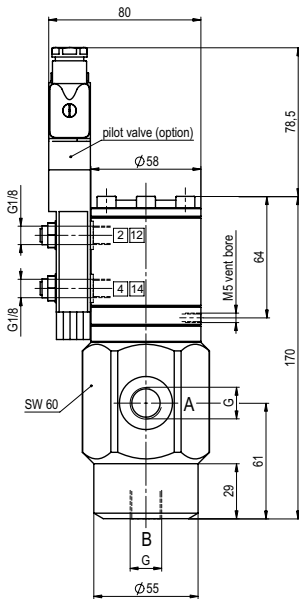


drilling design for cartridge

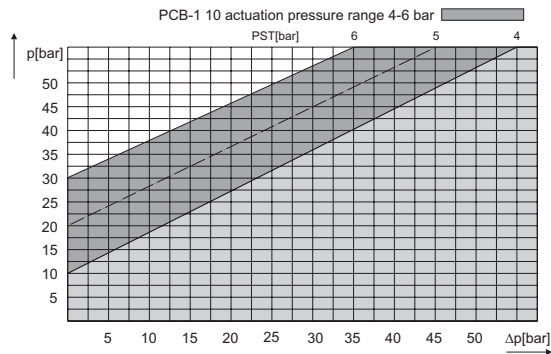


type PCB-1 10

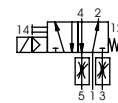
function: **NO**
open when not energized



pressure-diagram



pneumatic actuation (separately)



5/2-way-pilot valve
flow rate 350 l/min
pressure range 3-10 bar G 1/8

The application-specific layout relating to temperature, pressure conditions, switching behavior, media and its consistency may restrict the range of use or necessitate relevant modifications to materials used and seal arrangements.

Rights reserved to make technical alterations • Not responsible for printing errors • Detailed drawings can be obtained upon request