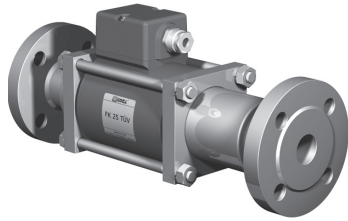
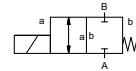



# coaxial valve

## type FK 25 TÜV



**2/2 way valve** direct acting  
**pressure range** PN 0-40 bar  
**orifice** DN 25 mm  
**connection** flange  
**function** valve normally closed  
**symbol** NC



 Above stated body materials refer to the valve port connections that get in contact with the media only!

**design** pressure balanced, with spring return  
**body materials** ⑦ TÜV

**valve seat** synthetic resin on metal  
**seal materials** FPM, PTFE

**details needed**

- orifice
- port
- function NC
- operating pressure
- flow rate
- media
- media temperature
- ambient temperature
- nominal voltage

**general specifications**


**options**


|                      |                                 |                                    |
|----------------------|---------------------------------|------------------------------------|
| ports                | FK                              | flanges PN 40                      |
| function             |                                 | NC                                 |
| pressure range       | bar                             | 0-40                               |
| Kv value             | m <sup>3</sup> /h               | 11,2                               |
| vacuum               |                                 | leak rate                          |
| pressure-vacuum      | P <sub>1</sub> ↔ P <sub>2</sub> |                                    |
| back pressure        | P <sub>2</sub> > P <sub>1</sub> | available (max. 16 bar)            |
| media                |                                 | liquid fuels                       |
| abrasive media       |                                 |                                    |
| damping              | opening                         |                                    |
|                      | closing                         |                                    |
| flow direction       | A ↔ B                           | as marked                          |
| switching cycles     | 1/min                           | 130                                |
| switching time       | ms                              | opening 130 closing 130            |
| media temperature    | °C                              | DC: -10 to +140<br>AC: -10 to +140 |
| ambient temperature  | °C                              | DC: -10 to +60<br>AC: -10 to +60   |
| limit switches       |                                 | mechanical                         |
| manual override      |                                 |                                    |
| approvals            | TÜV                             | DIN EN ISO 23553-1 + E DIN 32725   |
| mounting             |                                 | mounting brackets                  |
| weight               | kg                              | FK 10,5                            |
| additional equipment |                                 |                                    |

**electrical specifications**

**options**

|                       |                |   |                               |
|-----------------------|----------------|---|-------------------------------|
| nominal voltage       | U <sub>n</sub> | 24 V  | DC                            |
|                       | U <sub>n</sub> | 230 V 40-60 Hz                                | AC                            |
| actuation             | DC             | direct-current magnet                         |                               |
|                       | AC             | direct-current magnet with separate rectifier |                               |
| insulation rating     | H              | 180°C   |                               |
| protection            | IP65           |   |                               |
| energized duty rating | ED             | 100%  |                               |
| connection            | M16x1,5        | terminal box                                  |                               |
| optional              |                |   |                               |
| additional equipment  |                |   |                               |
| current consumption   | N-coil         |   |                               |
|                       | H-coil         | 24 V  | DC 2,66 A                     |
|                       |                | 230 V 40-60 Hz                                | AC 0,36 A                     |
| explosion proof       |                |   |                               |
| limit switches        |                | mechanical                                    | single pole double throw-SPDT |

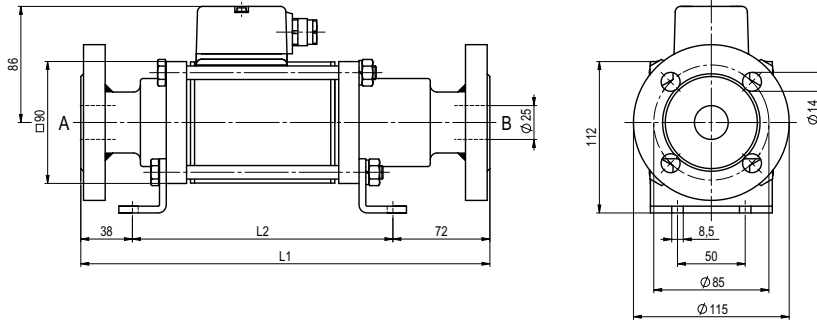
 The valves' technical design is based on media and application requirements. This can lead to deviations from the general specifications shown on the data sheet with regards to the design, sealing materials and characteristics.

 If order or application specifications are incomplete or imprecise there exists a risk of an incorrect technical design of the valve for the required application. As a consequence, the physical and / or chemical properties of the materials or seals used, may not be suitable for the intended application.

■ specifications not highlighted are standard  
 ■ specifications highlighted in grey are optional

# type **FK 25 TÜV**

function: **NC**  
closed when not energized



| constructive length            | L1  | L2  |
|--------------------------------|-----|-----|
| standard                       | 302 | 192 |
| with mechanical limit switches | 355 | 245 |