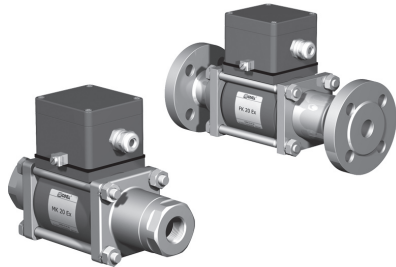
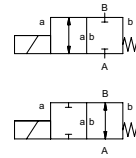


coaxial valve

type MK 20 Ex FK 20 Ex



2/2 way valve **direct acting**
pressure range PN 0-100 bar
orifice DN 20 mm
connection thread/flange
function valve normally closed symbol **NC**
 valve normally open symbol **NO**



△ Above stated body materials refer to the valve port connections that get in contact with the media only!

design pressure balanced, with spring return
body materials ① brass ② steel, galvanized
 ③ brass, nickel plated ⑤ without non-ferr. metals
 ④ steel, nickel plated ⑥ stainless steel
valve seat synthetic resin on metal
seal materials NBR PTFE, FPM, CR, EPDM

details needed

- orifice
- port
- function NC/NO
- operating pressure
- flow rate
- media
- media temperature
- ambient temperature
- nominal voltage

	general specifications		options
ports	MK	threads G 3/4 - G 1 1/4	special threads
	FK	flanges PN 16/40/100	special flanges
function		NC	NO
pressure range	bar	0-16/0-40/0-64/0-100	> 100 bar upon request
Kv value	m³/h	7,4	
vacuum	leak rate		< 10 ⁻⁶ mbar·l·s ⁻¹
pressure-vacuum	P ₁ ↔ P ₂		upon request
back pressure	P ₂ > P ₁		available (max. 16 bar)
media		gaseous - liquid - highly viscous - gelatinous - contaminated	
abrasive media			upon request
damping	opening		
	closing		available
flow direction	A ↔ B	as marked	bi-directional (max. 16 bar)
switching cycles	1/min	150	
switching time	ms	opening 110 closing 110	
media temperature	°C	DC: -20 to +40	
		AC: -20 to +40	
ambient temperature	°C	DC: -20 to +40	
		AC: -20 to +40	
limit switches			inductive
manual override			available
approvals			LR/GL/WAZ
mounting			mounting brackets
weight	kg	MK 5,5 FK 7,5	
additional equipment			upon request

⚠ The valves' technical design is based on media and application requirements. This can lead to deviations from the general specifications shown on the data sheet with regards to the design, sealing materials and characteristics.

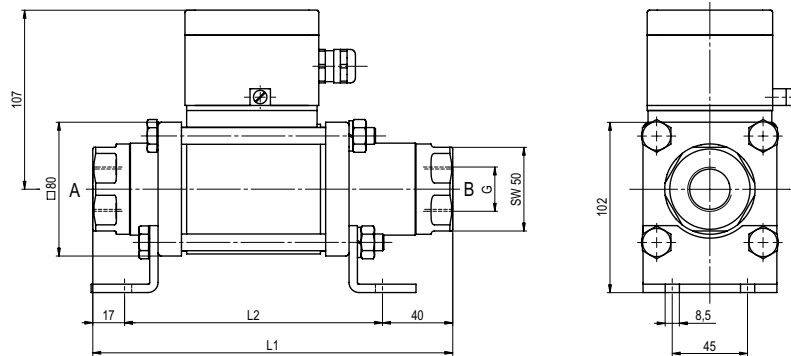
⚠ If order or application specifications are incomplete or imprecise there exists a risk of an incorrect technical design of the valve for the required application. As a consequence, the physical and / or chemical properties of the materials or seals used, may not be suitable for the intended application.

	electrical specifications		options
nominal voltage	U _n	24 V DC	special voltage
	U _n	230 V 40-60 Hz AC	special voltage
actuation	DC	direct-current magnet	
	AC	direct-current magnet with separate rectifier outside of the explosion-proof area	sand sealed rectifier
insulation rating	H	180°C	
protection	IP65		
energized duty rating	ED	100%	
connection	M16x1,5	terminal box	
optional additional equipment			
current consumption	U _n	V-DC 24 200	48 98 110 220
	I _n	A 1,34 0,17	0,68 0,32 0,28 0,14
explosion proof		II 2 G Eex m II T4 and II 2 D IP65 T 130°C	
		PTB 03 ATEX 2049 X	
limit switches		inductive NAMUR	circuit amplifier

■ specifications not highlighted are standard
 ■ specifications highlighted in grey are optional

type MK 20 Ex

function: **NC**
closed when not energized



constructive length	L1	L2	L3
standard	215	158	269
with 1/2 inductive limit switches	259	202	313
with manual emergency (Hd)/ Hd and 1/2 ind. limit switches	259	202	313

flanges PN	DIN	øD	øk	ød
16	2633	105	75	14
40	2635	105	75	14
100	2637	130	90	18

type FK 20 Ex

function: **NO**
open when not energized

