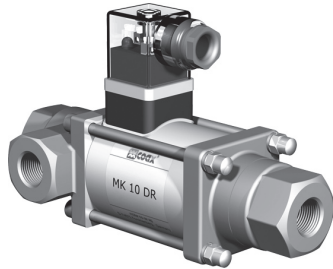
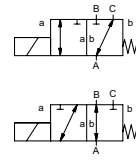


coaxial valve

type MK 10 DR



3/2 way valve **direct acting**
pressure range PN 0-25 bar
orifice DN 10 mm
connection thread
function valve normally closed (A ► B) symbol **NC**
 valve normally open (A ► B) symbol **NO**



△ Above stated body materials refer to the valve port connections that get in contact with the media only!

design pressure balanced, with spring return, intersecting switch-over
body materials ① brass ②
 ③ brass, nickel plated ⑤
 ④ ⑥ stainless steel
valve seat synthetic resin on metal
seal materials NBR FPM, CR, EPDM

details needed

- orifice
- port
- function NC/NO
- operating pressure
- inlet pressure at A, B or C
- flow rate
- media
- media temperature
- ambient temperature
- nominal voltage

	general specifications	options
ports	MK threads G 1/4 - G 3/4	special threads
function	NC	NO
pressure range	bar 0-16/0-25 A ⇒ B max.25 / B ⇒ A max.16 / A ⇒ C max.25 / C ⇒ A max.25	
Kv value	m³/h 2,6	
vacuum	leak rate	< 10 ⁻⁶ mbar·l·s ⁻¹
pressure-vacuum	P ₁ ⇔ P ₂	upon request
back pressure	P ₂ > P ₁	see pressure range
media	gaseous - liquid - contaminated	
abrasive media		
damping	opening	
	closing	
flow direction	see pressure range	
switching cycles	1/min 200	
ms	opening 40 closing 25	
media temperature	°C DC: -10 to +80	-30 to +120
	AC: -10 to +80	-30 to +120
ambient temperature	°C DC: -10 to +80	
	AC: -10 to +80	
limit switches		
manual override		LR/GL/WAZ
approvals		mounting brackets
mounting		
weight	kg MK 2,2	
additional equipment		upon request

⚠ The valves' technical design is based on media and application requirements. This can lead to deviations from the general specifications shown on the data sheet with regards to the design, sealing materials and characteristics.

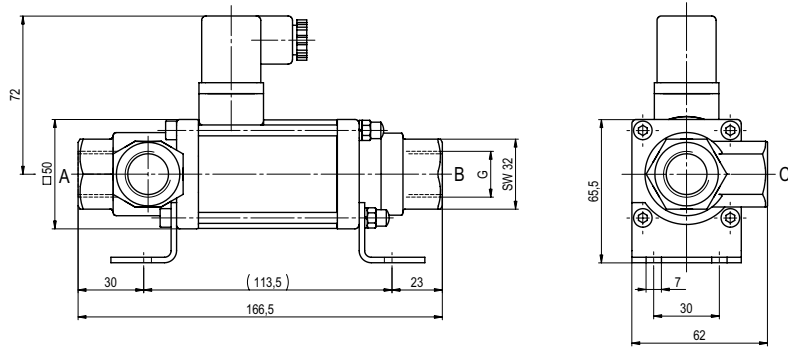
⚠ If order or application specifications are incomplete or imprecise there exists a risk of an incorrect technical design of the valve for the required application. As a consequence, the physical and / or chemical properties of the materials or seals used, may not be suitable for the intended application.

	electrical specifications	options
nominal voltage	U _n 24 V DC	special voltage upon request
	U _n 230 V 40-60 Hz AC	special voltage upon request
actuation	DC direct-current magnet	
	AC direct-current magnet with integrated rectifier	
insulation rating	H 180°C	
protection	IP65	
energized duty rating	ED 100%	
connection	plug acc. DIN EN 175301-803 form A, 4 positions x 90° / wire diameter 6-8 mm	terminal box M16x1,5
optional	M12x1 connector acc. DESINA	connector acc. VDMA
additional equipment	illuminated plug with varistor	
current consumption	N-coil 24 V DC 1,00 A	
	230 V 40-60 Hz AC 0,13 A	
	H-coil 24 V DC 1,29 A	
	230 V 40-60 Hz AC 0,16 A	
explosion proof		
limit switches		

■ specifications not highlighted are standard
 ■ specifications highlighted in grey are optional

type MK 10 DR

function: **NC**
closed when not energized (A ► B)



type MK 10 DR

function: **NO**
open when not energized (A ► B)

