

pressure reduction valve

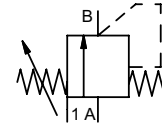
type HPP-3 15 PC


3-HPP-3 15 PC

valve type with pilot valve



control valve manuel
pressure range PN 0-100 bar
orifice DN 15 mm
connection thread/cartridge
function manual stepless pressure regulation



 Above stated body materials refer to the valve port connections that get in contact with the media only!

design externally controlled with spring return
body materials ① aluminium ③
 ① brass ④
 ② ⑥ stainless steel
valve seat synthetic resin on metal / metal on metal
seal materials EPDM, PU, HNBR FPM

details needed for main valve

- orifice
- port
- pressure regulating range
- flow rate
- media
- media temperature
- ambient temperature

details needed for pneumatic actuation

- nominal voltage
- type of protection
- actuation pressure range min/max


general specifications		options
ports	HPP-3 with valve body G 1/2 - G 3/4	without valve body
function	stepless regulation	
pressure regulation range	bar HPP-3 5-100	
Kv value	m ³ /h max. 6,0	
media	gaseous - liquid - highly viscous - contaminated	version available
abrasive media		
flow direction	A ⇌ B as marked	
operating time	ms < 200	
media temperature	°C 0 to +60	
ambient temperature	°C 0 to +50	
approvals		
mounting		mounting holes
weight	kg HPP-3 4,4	HPP-3 3,3
additional equipment		


electrical specifications

electrical specifications		options
nominal voltage	U _n 24 V DC	special voltage upon request
	U _n 230 V 50 Hz AC	special voltage upon request
power consumption	DC 4,8 W	2,5 W
	AC pick up 11,0 VA holding 8,5 VA	
protection	IP 65 (P54) acc. DIN 40 050	
energized duty rating	ED 100%	
connection	plug acc. DIN EN 175301-803 form B	
additional equipment	illuminated plug with varistor	
optional	M12x1 connector acc. DESINA	connector acc. VDMA
coil	3 positions x 90° / wire diameter 6-8 mm	
max. temperature	media 60°C	
	ambient 50°C	
explosion proof	EEx m II T5	nominal voltage U _n direct current 24 V 3,25 W
		power consumption alternating current 230 V 50 Hz 2,90 W

pneumatic specifications

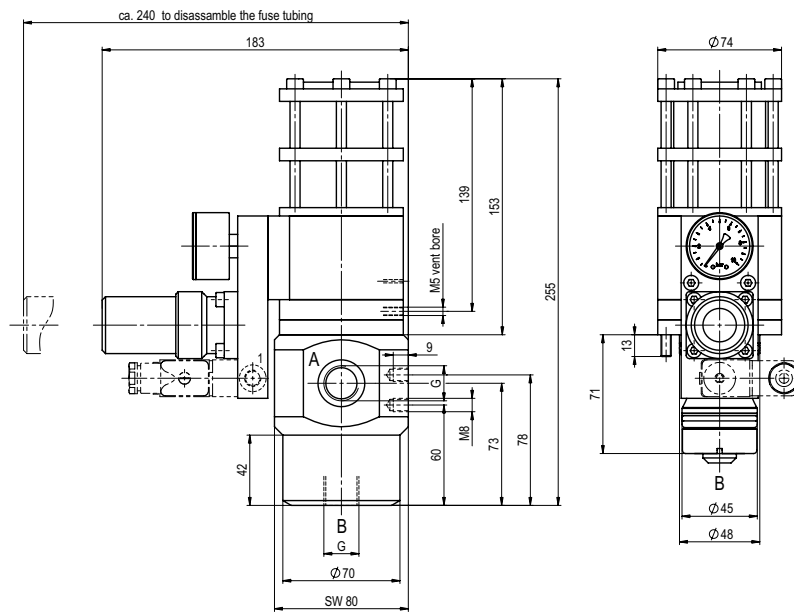
pneumatic specifications		options
actuation pressure range	bar see actuation pressure-diagram	
air consumption	DIN ISO 8573-1 grade of compressed air quality 5/4/3	
control	preferably 3/2-way pilot valve during low pressure circulation mode	
actuator ports	1 G 1/8	

 The valves' technical design is based on media and application requirements. This can lead to deviations from the general specifications shown on the data sheet with regards to the design, sealing materials and characteristics.

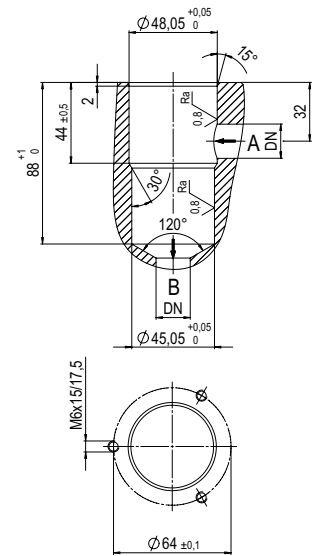
 If order or application specifications are incomplete or imprecise there exists a risk of an incorrect technical design of the valve for the required application. As a consequence, the physical and / or chemical properties of the materials or seals used, may not be suitable for the intended application.

■ specifications not highlighted are standard
 ■ specifications highlighted in grey are optional

type HPP-3 15 PC



drilling design for cartridge



actuation pressure-diagram

