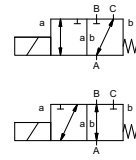


lateral valve type ECD-H 10 DR



3/2 way valve direct acting
pressure range PN 0-150 bar
orifice DN 10 mm
connection thread
function valve normally closed (A ► B) symbol **NC**
 valve normally open (A ► B) symbol **NO**



△ Above stated body materials refer to the valve port connections that get in contact with the media only!

design pressure balanced, with spring return, intersecting switch-over
body materials ① brass ②
 ③ ⑤
 ④ ⑥ stainless steel
valve seat synthetic resin on metal
seal materials NBR PTFE, FPM, CR, EPDM

details needed

- orifice
- port
- function NC/NO
- operating pressure
- inlet pressure at A, B or C
- flow rate
- media
- media temperature
- ambient temperature
- nominal voltage

| | general specifications | options |
|-----------------------------|---------------------------------|---|
| ports | ECD-H threads G 3/8 | |
| function | NC | NO |
| pressure range | bar 0-150 | |
| Kv value | m ³ /h 1,5 | |
| vacuum | leak rate | < 10 ⁻⁶ mbar·l·s ⁻¹ |
| pressure-vacuum | P ₁ ↔ P ₂ | |
| back pressure | P ₂ > P ₁ | |
| media | gaseous - liquid | |
| abrasive media | | |
| damping | opening _____ closing _____ | |
| flow direction | | |
| switching cycles | 1/min 100 | |
| switching time | ms opening 250 closing 110 | |
| media temperature | °C DC: -20 to +100 | -20 to +160 |
| | AC: -20 to +100 | -20 to +160 |
| ambient temperature | °C DC: -20 to +60 | |
| | AC: -20 to +60 | |
| limit switches | | inductive |
| manual override | | |
| approvals | | |
| mounting | | |
| weight | kg 6,0 | |
| additional equipment | | |

⚠ The valves' technical design is based on media and application requirements. This can lead to deviations from the general specifications shown on the data sheet with regards to the design, sealing materials and characteristics.

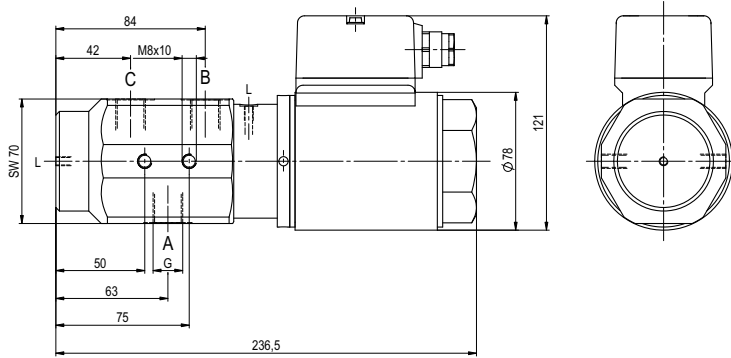
⚠ If order or application specifications are incomplete or imprecise there exists a risk of an incorrect technical design of the valve for the required application. As a consequence, the physical and / or chemical properties of the materials or seals used, may not be suitable for the intended application.

| | electrical specifications | options |
|--------------------------------------|--|-------------------------------------|
| nominal voltage | U _n 24 V DC | special voltage upon request |
| | U _n 230 V 40-60 Hz AC | special voltage upon request |
| actuation | DC direct-current magnet | |
| | AC direct-current magnet with integrated rectifier | above 100°C with separate rectifier |
| insulation rating | H 180°C | |
| protection | IP65 | |
| energized duty rating | ED 100% | |
| connection | plug acc. DIN EN 175301-803 form A, 4 positions x 90° / wire diameter 6-8 mm | terminal box M16x1,5 |
| optional additional equipment | illuminated plug with varistor | |
| current consumption | 24 V DC 2,64 A | |
| | 230 V 40-60 Hz AC 0,30 A | |
| explosion proof | | |
| limit switches | inductive (I) | normally open-PNP |
| | inductive (B) | normally open-PNP |

■ specifications not highlighted are standard
 ■ specifications highlighted in grey are optional

type **ECD-H 10 DR**

function: **NC**
closed when not energized (A ► B)



type **ECD-H 10 DR**

function: **NO**
open when not energized (A ► B)

