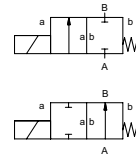


# coaxial valve

## type A 45



**2/2 way valve** direct acting  
**pressure range** PN 0-130 bar  
**orifice** DN 2/4/6 mm  
**connection** thread  
**function** valve normally closed symbol **NC**  
 valve normally open symbol **NO**



**design** direct acting, with spring return  
**body materials** ③ stainless steel

**valve seat** synthetic resin on metal  
**seal materials** NBR, PTFE **FPM, EPDM**

**details needed**

- orifice
- port
- function NC/NO
- operating pressure
- flow rate
- media
- media temperature
- ambient temperature
- nominal voltage

**general specifications**

<b>ports</b>	A45	threads G 3/8
<b>function</b>	NC	NO
<b>pressure range</b>	bar 10 40 130	10 60 130
	DN 6 4 2	6 4 2
<b>Kv value</b>	l/min 9,8 5,3 1,3	9,8 5,3 1,3
<b>vacuum</b>	leak rate	< 10 <sup>-6</sup> mbar·l·s <sup>-1</sup>
<b>pressure-vacuum</b>	P <sub>1</sub> ↔ P <sub>2</sub>	upon request
<b>back pressure</b>	P <sub>2</sub> > P <sub>1</sub>	
<b>media</b>	gaseous - liquid	
<b>abrasive media</b>		
<b>damping</b>	opening	
	closing	
<b>flow direction</b>	A ↔ B	as marked
<b>switching cycles</b>	1/min	200
<b>switching time</b>	ms	opening 20 closing 45
<b>media temperature</b>	°C	DC: -10 to +80 >80°C upon request
		AC: -10 to +80 >80°C upon request
<b>ambient temperature</b>	°C	DC: -10 to +80
		AC: -10 to +80
<b>limit switches</b>		
<b>manual override</b>		
<b>approvals</b>	WAZ	
<b>mounting</b>	mounting brackets	
<b>weight</b>	kg	1,2
<b>additional equipment</b>	upon request	

**electrical specifications**

<b>nominal voltage</b>	U <sub>n</sub> 24 V DC	special voltage upon request
	U <sub>n</sub> 230 V 40-60 Hz AC	special voltage upon request
<b>actuation</b>	DC	direct-current magnet
	AC	direct-current magnet with integrated rectifier
<b>insulation rating</b>	H 180°C	
<b>protection</b>	IP65	
<b>energized duty rating</b>	ED 100%	
<b>connection</b>	plug acc. DIN EN 175301-803 form A, 4 positions x 90° / wire diameter 6-8 mm	
<b>optional</b>	M12x1	connector acc. DESINA connector acc. VDMA
<b>additional equipment</b>	illuminated plug with varistor	
<b>current consumption</b>	24 V	DC 1,33 A
	230 V 40-60 Hz AC	0,17 A
<b>explosion proof</b>		
<b>limit switches</b>		

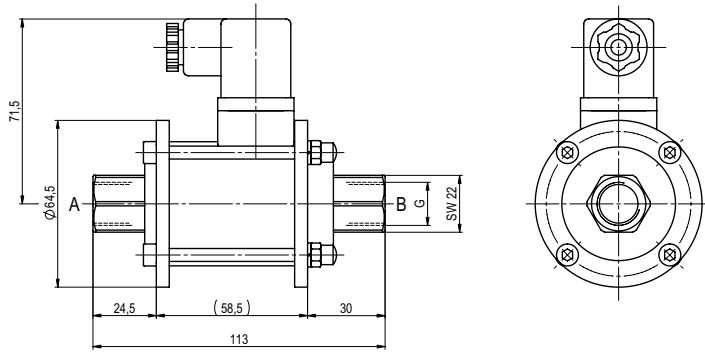
**⚠** The valves' technical design is based on media and application requirements. This can lead to deviations from the general specifications shown on the data sheet with regards to the design, sealing materials and characteristics.

**⚠** If order or application specifications are incomplete or imprecise there exists a risk of an incorrect technical design of the valve for the required application. As a consequence, the physical and / or chemical properties of the materials or seals used, may not be suitable for the intended application.

■ specifications not highlighted are standard  
 ■ specifications highlighted in grey are optional

# type A 45

function: **NC**  
closed when not energized



# type A 45

function: **NO**  
open when not energized

