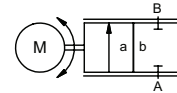


positioning valve

type RMQ 15 PC



control valve electro motorically controlled
pressure range PN 0-25 bar
orifice DN 15 mm
connection thread/cartridge
function stepless stroke regulation



Above stated body materials refer to the valve port connections that get in contact with the media only!

design direct acting with integrated 3-point-regulation
body materials ① aluminium ③
 ① brass ④
 ② ⑥ stainless steel
valve seat synthetic resin on metal / metal on metal
seal materials PU, HNBR FPM

details needed

- orifice
- port
- operating pressure/Δp
- flow rate
- media
- media temperature
- ambient temperature
- nominal voltage
- control signal

	general specifications	options
ports	RMQ threads G 1/2 - G 3/4	
function	stepless regulation	
pressure range	bar 0-25	
DN	15	
Kv value	m³/h 0-5,9	
back pressure	bar max. 10	
media	gaseous - liquid - highly viscous - contaminated	
abrasive media		version available
flow direction	A → B as marked	
switching cycles		
operating time	DN 15	
closed - open	sec. ca. 13	
media temperature	°C 0 to +80	
ambient temperature	°C max. +70	
approvals		WAZ
mounting		mounting holes
weight	kg RMQ 2,9	RMQ 4,0

	electrical specifications	options
nominal voltage	U _n 24 V DC	
	U _n 24 V AC	
power consumption	DC < 0,5 A	
	AC < 0,5 A	
control signals	I _E 0-20 mA / 4-20 mA	actual valve output
	U _E 0-10 V	IA 4-20 mA
protection	IP 65 (P54) acc. DIN 40 050	
energized duty rating	ED 15%	
connection	M12x1 concentric socket DIN 40040, 5 poles / wire diameter 6-8 mm	
additional equipment	internal separate actual value output	

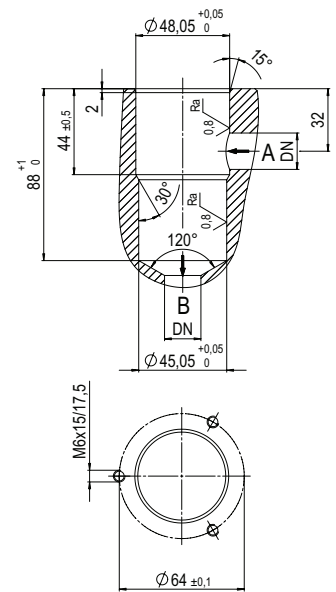
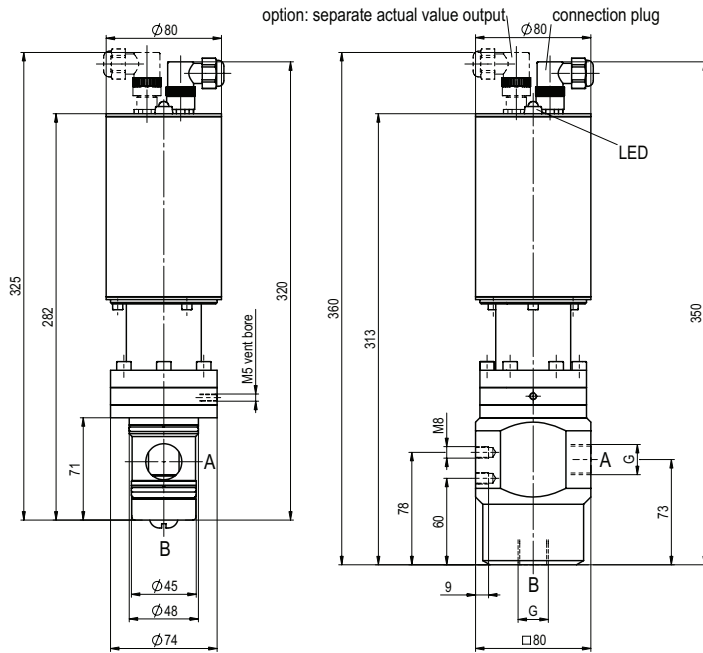
The valves' technical design is based on media and application requirements. This can lead to deviations from the general specifications shown on the data sheet with regards to the design, sealing materials and characteristics.

If order or application specifications are incomplete or imprecise there exists a risk of an incorrect technical design of the valve for the required application. As a consequence, the physical and / or chemical properties of the materials or seals used, may not be suitable for the intended application.

■ specifications not highlighted are standard
 ■ specifications highlighted in grey are optional

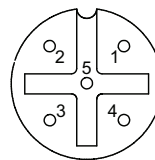
type **RMQ 15 PC**

drilling design for cartridge



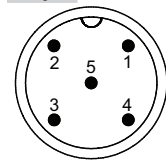
Sound creation during low pressure circulation mode and flow $Q=14,4 \text{ m}^3/\text{h}$: ca. 70 dbA

connection plan / connection plug



- 1: nominal voltage
- 2: nominal voltage
- 3: control signal
- 4: ground (control signal)
- 5: \oplus

option separate actual value output



- 1: actual value 4-20 mA (+)
- 2: actual value 4-20 mA (-)