

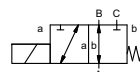
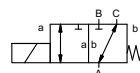
coaxial valve

type **MK 50 DR** **FK 50 DR**



3/2 way valve **direct acting**
pressure range PN 0-16 bar
orifice DN 50 mm
connection thread/flange
function valve normally closed (A ► B)
symbol **NC**

valve normally open (A ► B)
symbol **NO**



⚠ Above stated body materials refer to the valve port connections that get in contact with the media only!

design pressure balanced, with spring return, intersecting switch-over

body materials ① ② steel, galvanized
 ③ ⑤ without non-ferr. metals
 ④ steel, nickel plated ⑥ stainless steel

valve seat synthetic resin on metal

seal materials NBR PTFE, FPM, CR, EPDM

details needed

- orifice
- port
- function NC/NO
- operating pressure
- inlet pressure at A, B or C
- flow rate
- media
- media temperature
- ambient temperature
- nominal voltage

general specifications		options
ports	MK threads G 2 FK flanges PN 16	special threads special flanges
function	NC	NO
pressure range	0-16 bar A ⇨ B max.16 / B ⇨ A max.10 / A ⇨ C max.16 / C ⇨ A max.16	
Kv value	m³/h 28,2	
vacuum	leak rate	< 10 ⁻⁶ mbar·l·s ⁻¹
pressure-vacuum	P ₁ ⇨ P ₂	upon request
back pressure	P ₂ > P ₁ see pressure range	
media	gaseous - liquid - highly viscous - gelatinous - contaminated	
abrasive media		upon request
damping	opening closing	
flow direction	see pressure range	
switching cycles	1/min 40	
switching time	ms opening 400 closing 400	
media temperature	°C DC: -20 to +80 AC: -20 to +80	-20 to +120 -20 to +120
ambient temperature	°C DC: -20 to +80 AC: -20 to +80	
limit switches		inductive
manual override		available
approvals		LR/GL/WAZ
mounting		mounting brackets
weight	kg MK 31,5 FK 38,5	
additional equipment		upon request

⚠ The valves' technical design is based on media and application requirements. This can lead to deviations from the general specifications shown on the data sheet with regards to the design, sealing materials and characteristics.

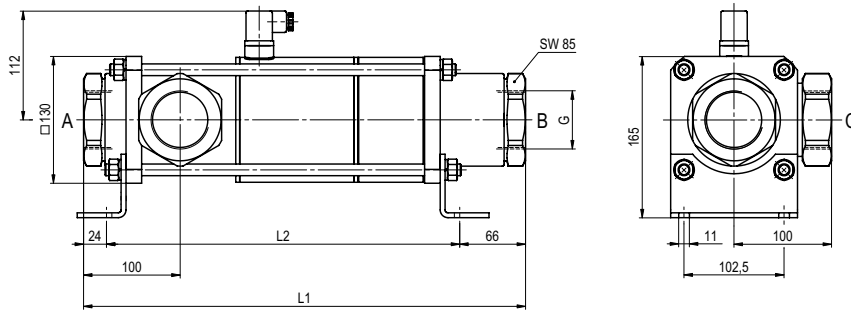
⚠ If order or application specifications are incomplete or imprecise there exists a risk of an incorrect technical design of the valve for the required application. As a consequence, the physical and / or chemical properties of the materials or seals used, may not be suitable for the intended application.

electrical specifications		options
nominal voltage	U _n 24 V DC U _n 230 V 40-60 Hz AC	special voltage upon request special voltage upon request
actuation	DC direct-current magnet AC direct-current magnet with integrated rectifier	above 100°C with separate rectifier
insulation rating	H 180°C	
protection	IP65	
energized duty rating	ED 100%	
connection	plug acc. DIN EN 175301-803 form A, 4 positions x 90° / wire diameter 6-8 mm	terminal box M16x1,5
optional additional equipment		illuminated plug with varistor
current consumption	N-coil 24 V DC 2,80 A 230 V 40-60 Hz AC 0,33 A	
H-coil		24 V DC 3,30 A 230 V 40-60 Hz AC 0,43 A
explosion proof		
limit switches	inductive (I) inductive (B)	normally open-PNP normally open-PNP

■ specifications not highlighted are standard
 ■ specifications highlighted in grey are optional

type MK 50 DR

function: **NC**
closed when not energized (A ► B)



constructive length	L1	L2	L3
standard	453	363	553
with 1/2 inductive limit switches	453	363	553
with manual emergency (Hd)/ Hd and 1/2 ind. limit switches	453	363	553

flanges PN	DIN	øD	øk	ød
16	2633	165	125	18

type FK 50 DR

function: **NO**
open when not energized (A ► B)

