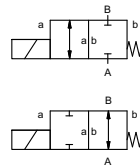


coaxial valve

type **MK 50**
FK 50



2/2 way valve **direct acting**
pressure range PN 0-16 bar
orifice DN 50 mm
connection thread/flange
function valve normally closed symbol **NC**
valve normally open symbol **NO**



⚠ Above stated body materials refer to the valve port connections that get in contact with the media only!

design pressure balanced, with spring return
body materials ① brass ② steel, galvanized
③ brass, nickel plated ⑤ without non-ferr. metals
④ steel, nickel plated ⑥ stainless steel
valve seat synthetic resin on metal
seal materials NBR PTFE, FPM, CR, EPDM

details needed

- orifice
- port
- function NC/NO
- operating pressure
- flow rate
- media
- media temperature
- ambient temperature
- nominal voltage

	general specifications		options
ports	MK	threads G 2	special threads
	FK	flanges PN 16	special flanges
function		NC	NO
pressure range	bar	0-16	
Kv value	m³/h	28,2	
vacuum	leak rate		< 10 ⁻⁶ mbar•l•s ⁻¹
pressure-vacuum	P ₁ ⇄ P ₂		upon request
back pressure	P ₂ > P ₁		available (max. 10 bar)
media		gaseous - liquid - highly viscous - gelatinous - contaminated	
abrasive media			upon request
damping	opening		
	closing		available
flow direction	A ⇄ B	as marked	bi-directional (max. 10 bar)
switching cycles	1/min	40	
switching time	ms	opening 400 closing 400	
media temperature	°C	DC: -20 to +80 AC: -20 to +80	-20 to +120 -20 to +120
ambient temperature	°C	DC: -20 to +80 AC: -20 to +80	
limit switches			inductive
manual override			available
approvals			LR/GL/WAZ
mounting			mounting brackets
weight	kg	MK 25,5 FK 31,0	
additional equipment			upon request

⚠ The valves' technical design is based on media and application requirements. This can lead to deviations from the general specifications shown on the data sheet with regards to the design, sealing materials and characteristics.

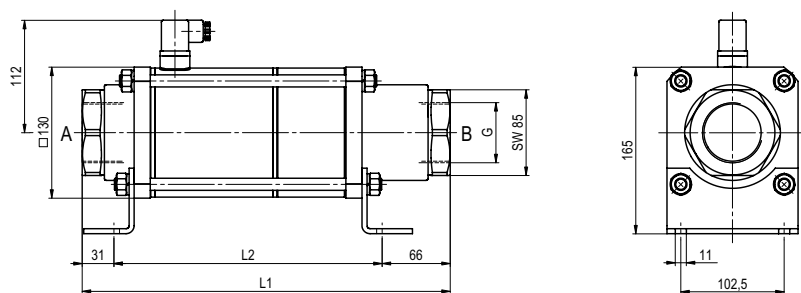
⚠ If order or application specifications are incomplete or imprecise there exists a risk of an incorrect technical design of the valve for the required application. As a consequence, the physical and / or chemical properties of the materials or seals used, may not be suitable for the intended application.

	electrical specifications		options
nominal voltage	U _n	24 V DC	special voltage upon request
	U _n	230 V 40-60 Hz AC	special voltage upon request
actuation	DC	direct-current magnet	
	AC	direct-current magnet with integrated rectifier	above 100°C with separate rectifier
insulation rating	H	180°C	
protection	IP65		
energized duty rating	ED	100%	
connection		plug acc. DIN EN 175301-803 form A, 4 positions x 90° / wire diameter 6-8 mm	terminal box M16x1,5
optional additional equipment			illuminated plug with varistor
current consumption	N-coil	24 V DC 2,80 A 230 V 40-60 Hz AC 0,33 A	
	H-coil		24 V DC 3,30 A 230 V 40-60 Hz AC 0,43 A
explosion proof			
limit switches		inductive (I) inductive (B)	normally open-PNP normally open-PNP

■ specifications not highlighted are standard
■ specifications highlighted in grey are optional

type MK 50

function: **NC**
closed when not energized

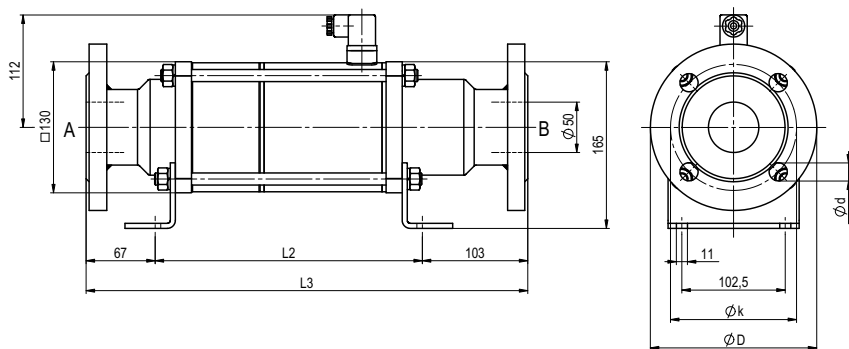


constructive length	L ₁	L ₂	L ₃
standard	365	268	438
with 1/2 inductive limit switches	365	268	438
with manual emergency (Hd)/ Hd and 1/2 ind. limit switches	365	268	438

flanges PN	DIN	øD	øk	ød
16	2633	165	125	18

type FK 50

function: **NO**
open when not energized



The application-specific layout relating to temperature, pressure conditions, switching behavior, media and its consistency may restrict the range of use or necessitate relevant modifications to materials used and seal arrangements.

Rights reserved to make technical alterations • Not responsible for printing errors • Detailed drawings can be obtained upon request